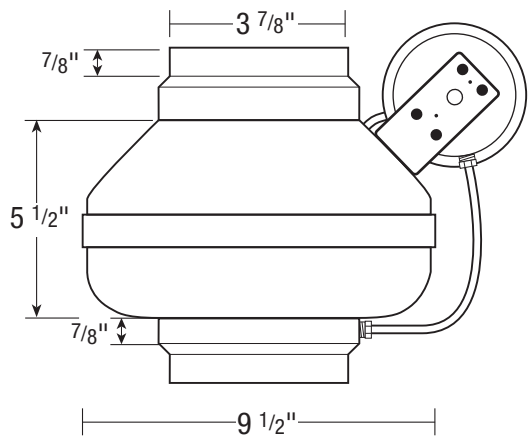




SPECIFICATIONS
AIDB4Y
 DRYER BOOSTER FAN

2100 HVI CERTIFIED **150 CFM @ 0.20" SP.**

- **Motor**
 Enclosed 2 pole, life time lubrication, ball bearing motor. Suitable for continuous operation. Maximum air temperature 140° F. 115 Volt, 60 Hz.
- **Blower Wheel**
 Backward inclined, balanced polymeric single inlet blower wheel.
- **Electrical Connections**
 1/2" electrical knockouts provided with internal terminal block.
- **Unit Mounting**
 Suitable for most dryer boosting applications and can generally be used for a maximum of 60 linear feet of ducting with a maximum of six elbows using 4" rigid ducting.
- **Automated Controls**
 Fully automatic fan control operates the booster fan whenever the dryer is operating.
- **Shipping Info**
 UPC Code: 0-83162-24021-7



EXPANDED PERFORMANCE										
	Static Pressure (inches of w.g.)						HVI CFM @ .2 SP	Fan Speed RPM	Power Watts	Amps
	0	0.2	0.4	0.6	0.8	1.0				
Air Flow - CFM	167	150	133	113	88	63	150	2761	78	0.72

PLEASE NOTE: The Home Ventilation Institute (HVI) does not currently have a sound test standard for remote mounted fans. As a result sound levels (sones) are not listed. In most cases, a remote fan will be quieter than one mounted within the living area.

PROJECT					ARCHITECT				
LOCATION					ENGINEER				
CONTRACTOR					SUBMITTED BY			DATE	
FAN NUMBER	MODEL NUMBER	CFM	IN W.G.	RPM	WATTS	AMPS	SONES	QTY	OPTIONAL EQUIPMENT & REMARKS

U.S.: 820 Lincoln Avenue
 West Chester, Pennsylvania 19380-4466
 Tel: (610) 692-7400 • 877-304-3785
 Fax: (610) 696-8048

Canada: 8 Edvac Drive
 Brampton, Ontario L6S 5P2
 Tel: (905) 456-2033 • 800-250-8767
 Fax: (905) 456-1015